



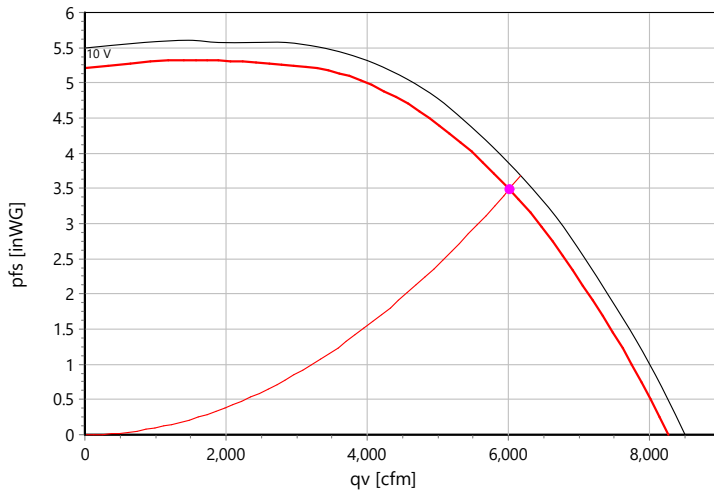
Plug Fan

Type: **GKHM 500-CIB.160.6IF IE Gen3**

Art.-No.: N88-50317



**Curve:**



p: 1.15 kg/m<sup>3</sup>; Data @ 400 V

**Operating Point:**

q <sub>v</sub>	6010	cfm
p <sub>fs</sub>	3.49	inWG
p <sub>fd</sub>	0.3	inWG
η <sub>ed,fs</sub>	61	%
η <sub>ed,tot</sub>	64	%
P <sub>ed</sub>	4.1	kW
I	6.38	A
n	1869	r/min
L <sub>wA A,OUT</sub>	93	dB(A)
U <sub>c</sub>	9.24	V
v	32.5	ft/s
SFP	1445	Ws/m <sup>3</sup>
FEI	1.34	
t <sub>R,OP</sub>	45	°C

**ErP-Data:**

(EU) Nr. 327/2011	(Lot11)	
q <sub>v</sub>	4787	cfm
p <sub>fs</sub>	4.92	inWG
η <sub>ed,fs</sub>	66.8	%
P <sub>ed</sub>	4.37	kW
n	1920	r/min
N	71	
v	25.9	ft/s

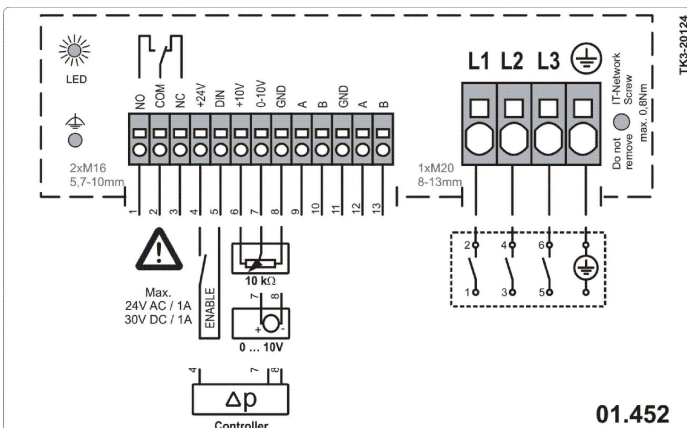
**Nominal Data:**

U [V]	f [Hz]	Data @ [V]	P <sub>ed</sub> [kW]	I <sub>N</sub> [A]	n <sub>N</sub> [r/min]	t <sub>R</sub> [°C]	k <sub>10</sub> [m <sup>2</sup> /h]	I <sub>A</sub> / I <sub>N</sub>	IP	m [kg]
3~380-480	50/60	400	4.5	7	1920	40	198	-	IP 54	52

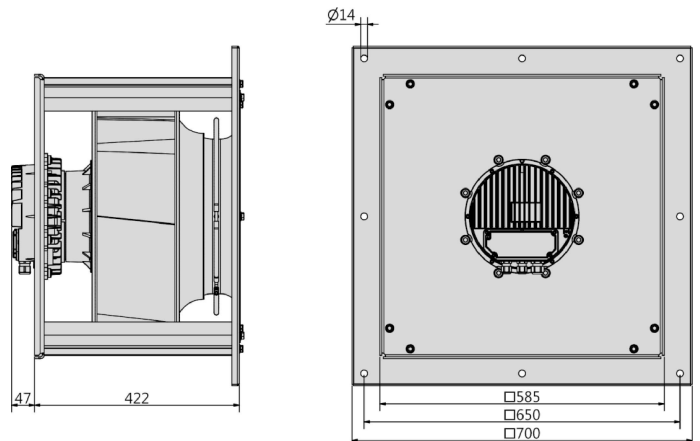
**Sound Data:**

Frequency	Σ	63Hz	125Hz	250Hz	500Hz	1kHz	2kHz	4kHz	8kHz	Distances	1 m	4 m
L <sub>wA(A,in)</sub> [dB(A)]	86	51	69	78	81	79	78	76	70	L <sub>pA(A,in)</sub> [dB(A)]	79	69
L <sub>wA(A,out)</sub> [dB(A)]	93	60	82	85	86	89	84	78	73	L <sub>pA(A,out)</sub> [dB(A)]	86	76

**Wiring Diagram:**



**Drawing:**



Data @ 460V: 4.5 kW; 6.0 A; 1920 1/min